

OUT
DOOR
ORDER™

CURVE™

OUTDOOR INFRARED HEATER

The Curve™, an Outdoor Order™ exclusive -- and a revolution in outdoor heating. Performance and convenience join with technological innovation to produce a true original in patio heat.

With three ground-breaking features, cantilevered design, push button start, and our proprietary infrared element, the Curve™ provides warm comfort in your favorite areas - those that used to be nearly impossible to heat.

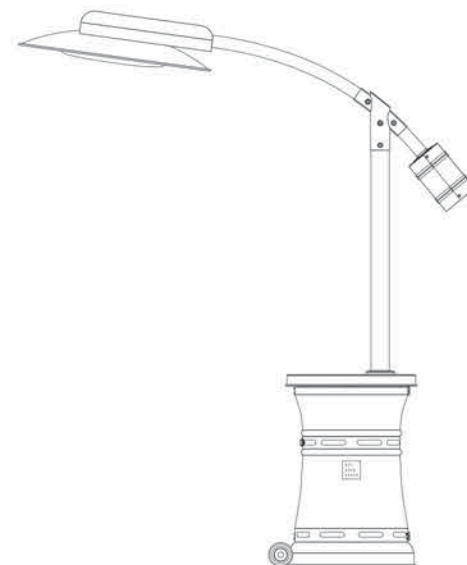


WWW.OUTDOORORDER.COM



FEATURES

- Ground-breaking infrared burner technology heats (2X) the amount of space while consuming the same BTUs.
- Easy push-button electronic ignition & control pad.
- With over a 6 foot span, the cantilever arm provides heat over an unprecedented 144 sq/ft of outdoor space.
- High quality electroplated and powder-coated finishes over stainless steel construction stand up to the most rigorous conditions.
- Anti-tilt flame shut-off switch guarantees safe operation with fuel shut-off technology for increased peace of mind.
- Best in class heat radius and efficiency in a free standing LP outdoor infrared heater.



MATERIAL

- 304 Grade Stainless Steel
- Infrared Heating Element

INSTALLATION

- Easy Assembly
- Clearance Requirements: 24 in. (60.96 cm) (H) 36 in. (91.44 cm) (V)

OPTIONAL ACCESSORIES

- ODO-CURVE-CVR-BK Patio Heater Cover Black

SPECIFICATIONS

Certification	CSA
Height	93.6 in. (1.80 m)
Width (Base Diameter)	20.3 in. (51.56 cm)
Depth (Span w/arm)	74 in. (1.88 m)
Reflector (Diameter)	31.5 in. (80 cm)
Weight	121 Lbs (54.9 kg)
Rated heat input	32,000 BTU/hr
Fuel	LP
Gas Supply	20 lb (9 kg) LP gas cylinder
Manifold pressure	3 PSI
Diameter of injector	0.039 in. (1 mm)
Safety features	Flame failure device, anti-tilt switch
Gas supply pressure	Max. 250 PSI, Min. 5 PSI

CODES/STANDARDS

ANS 283.26-2014
CSA 2.37-2014

WARRANTY

1 Year Limited Warranty.
One year residential/One year contract.
See website for detailed warranty information.



AVAILABLE COLOR/FINISHES

Color tiles intended for reference only.

Color	Code	Description
	Br	Hammered Bronze
	Ca	Carbon Black
	Ti	Brushed Gunmetal
	St	Stainless Steel